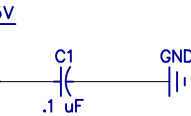
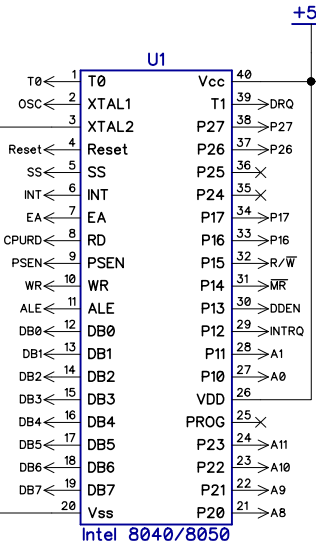
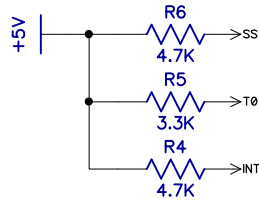
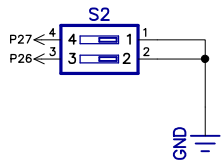
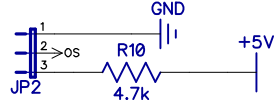
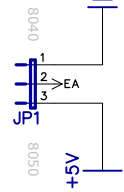
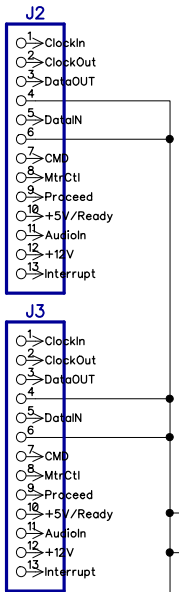
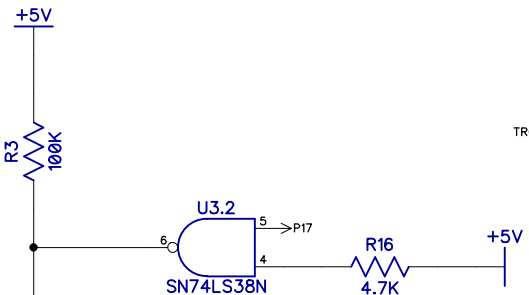
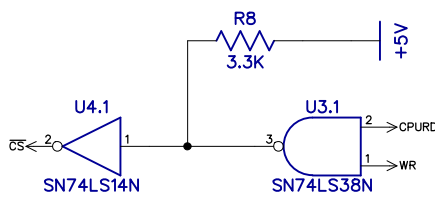
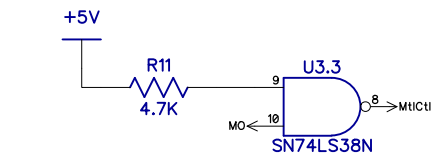
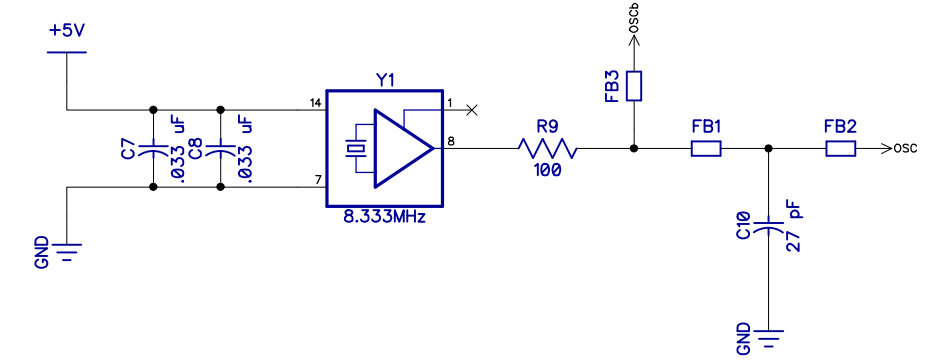
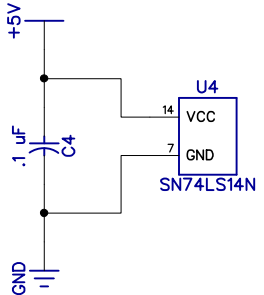
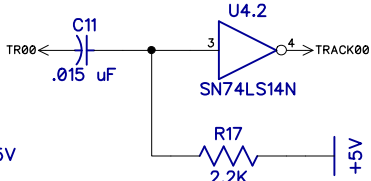
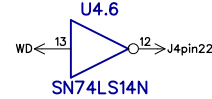
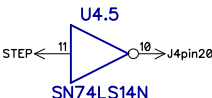
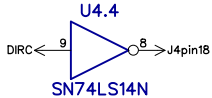
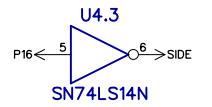
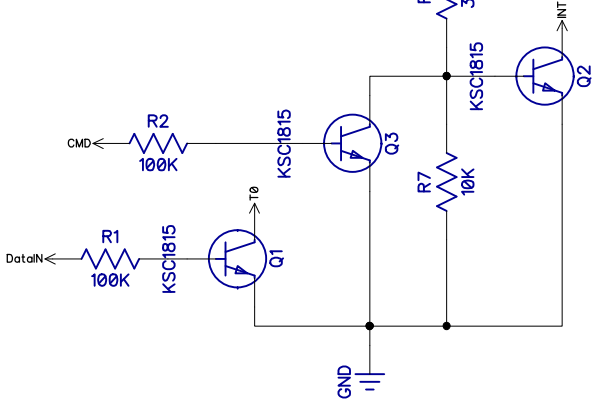
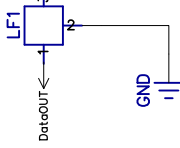


SIO Connectors

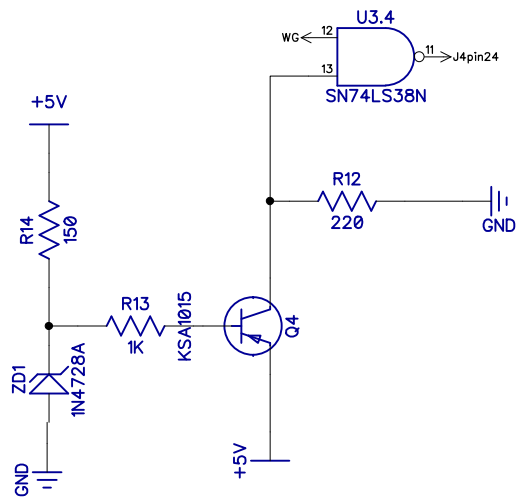
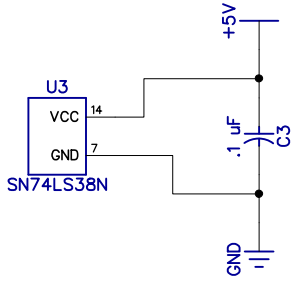




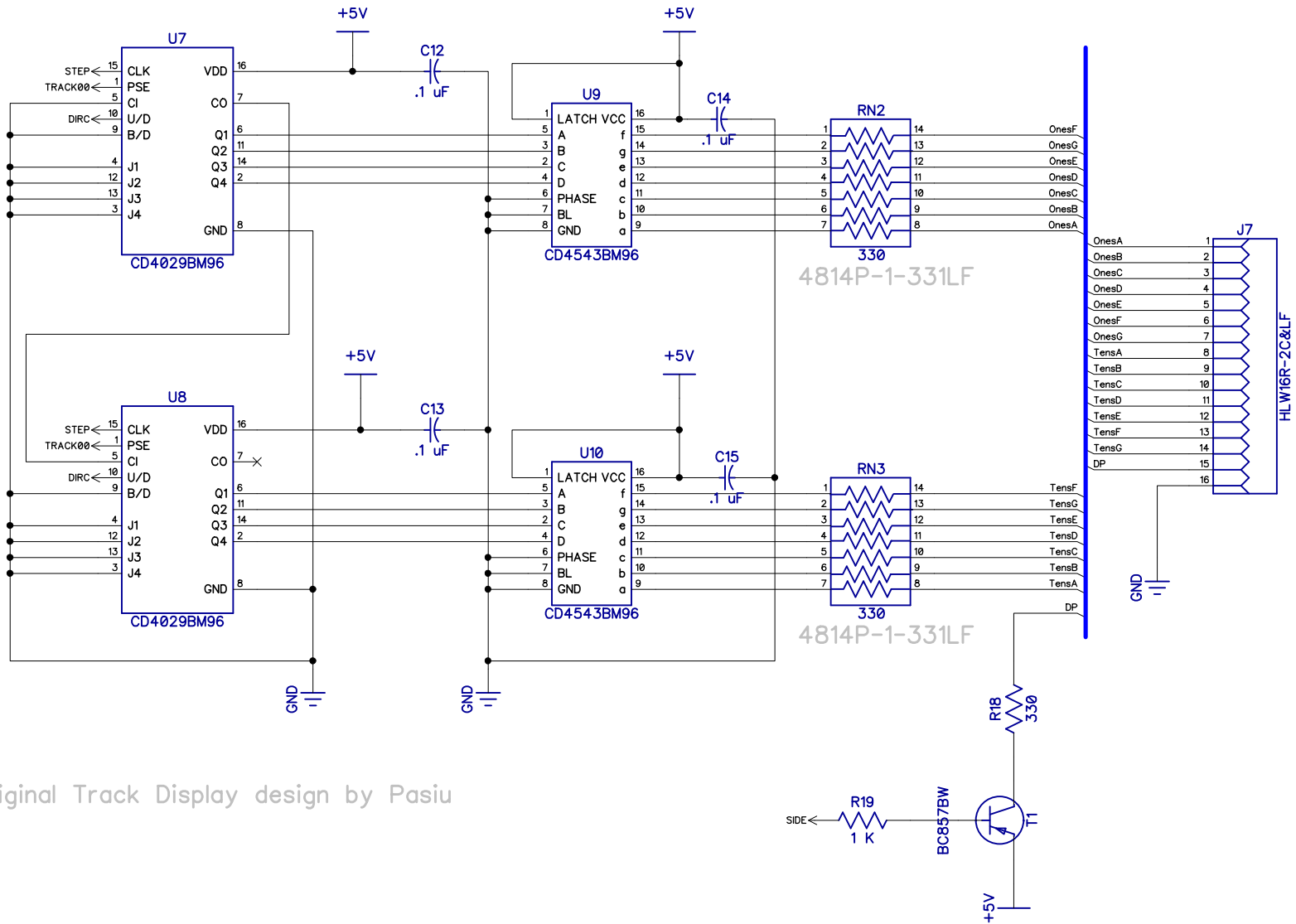
EMI471T-RC



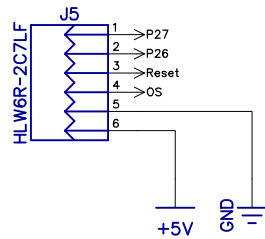
(Ferrite Beads need to be axial TH similar to Murata PN#BL01RN1A1E1A)



Atari XF551 Reimaged Disk Drive PCB					
		File: XF551OriginalB.dch	SIZE	FSCM NO.	DWG NO.
PCB Size: 150mm x 120mm		SCALE		Date: 10/20/2023	Main2

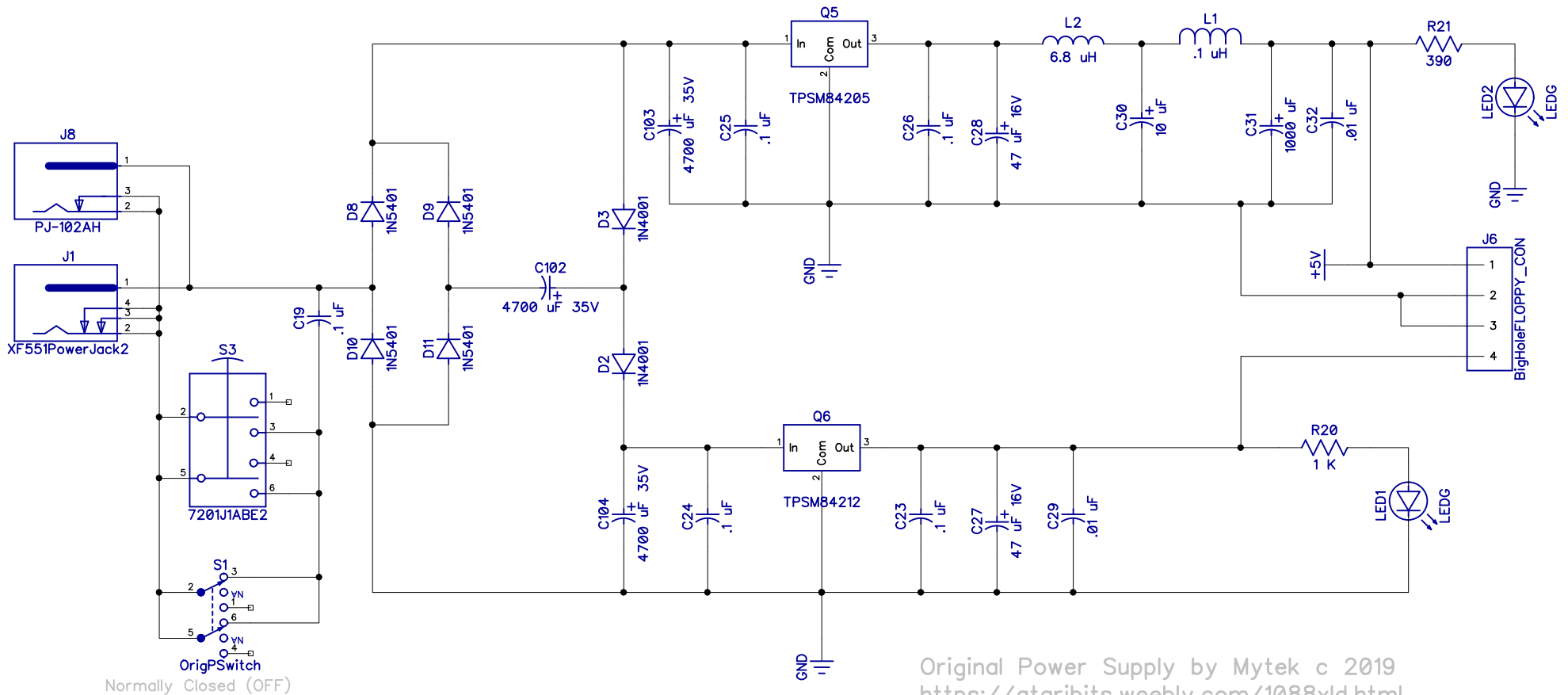


Original Track Display design by Pasiu



Front Control

Atari XF551 Reimaged Disk Drive PCB				
File: XF551OriginalB.dch	SIZE	FSCM NO.	DWG NO.	REV ?
PCB Size: 150mm x 120mm	SCALE		Date: 10/20/2023	Track Display



Atari XF551 Reimaged Disk Drive PCB					
File: XF551OriginalB.dch	SIZE	FSCM NO.	DWG NO.	REV ?	
PCB Size: 150mm x 120mm	SCALE		Date: 10/20/2023	Power Supply	